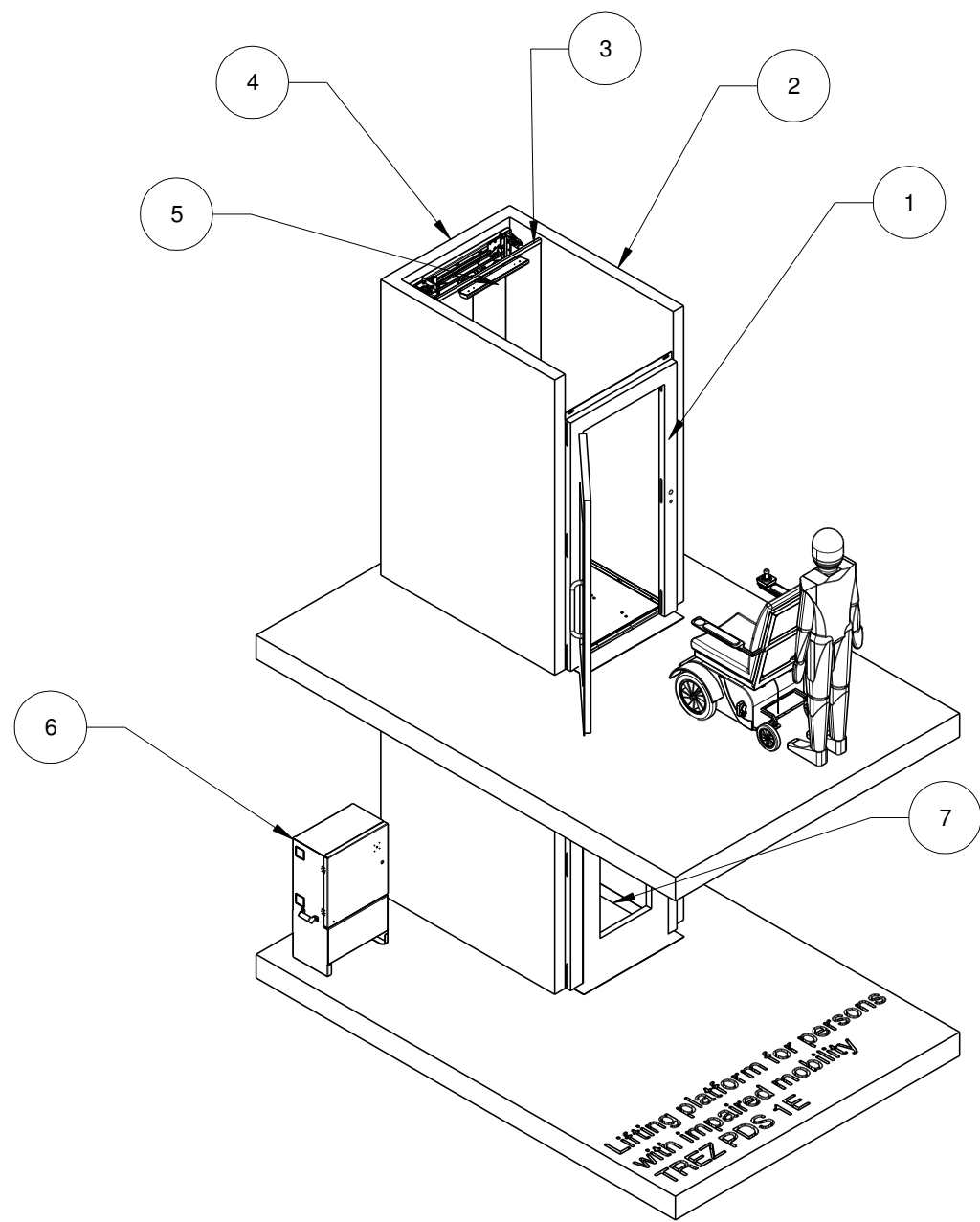
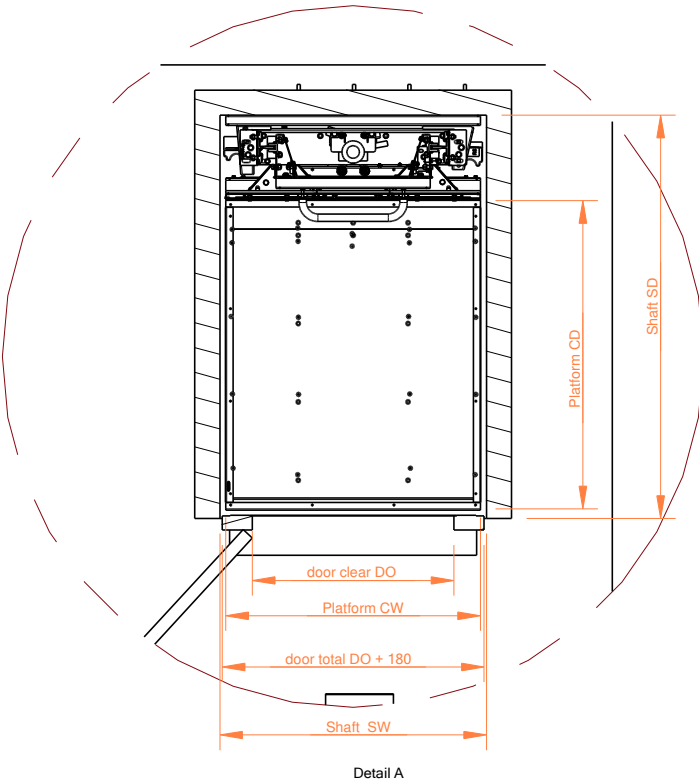
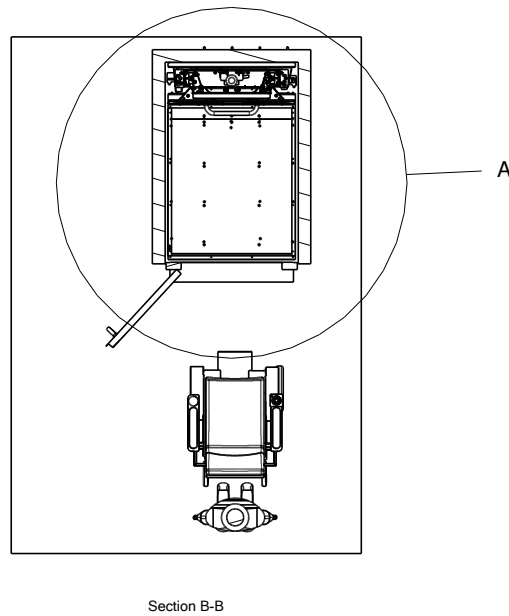
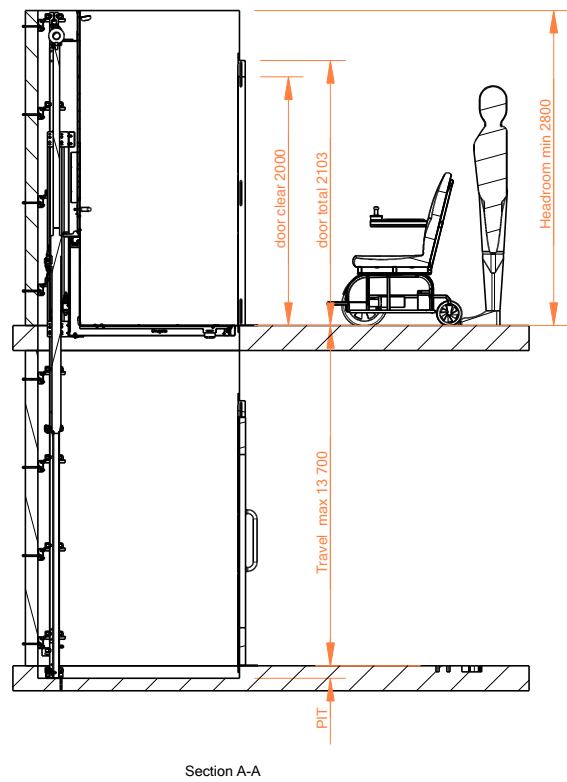
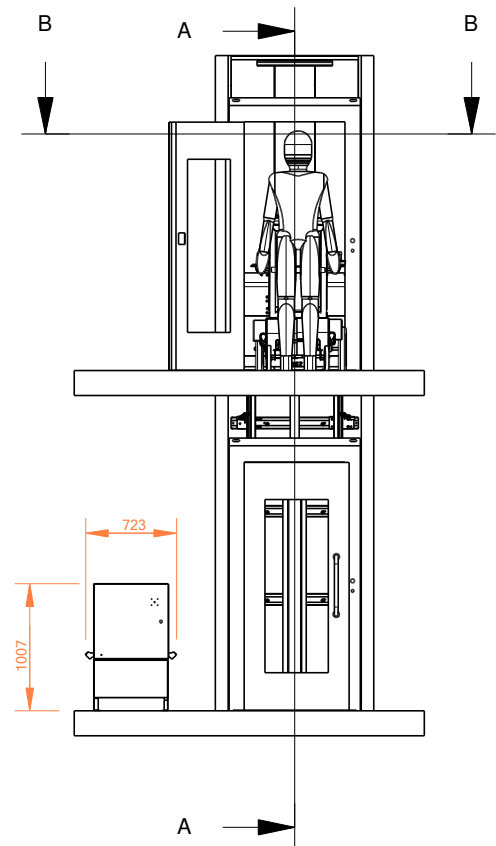


Model	Wheelchairs acc. EN 12183 and EN 12184	Power supply	PIT	Useful platform dimension CW	Useful platform dimension CD	Shaft SW	Shaft SD
PDS 1E 250	Manual class A	230 VAC 10 A	100 mm	800 mm	1250 mm	980 mm	1540 mm
PDS 1E 350	Manual class A,B	230 VAC 15 A	120 mm	900 mm	1250 mm	1080 mm	1540 mm
PDS1E 450	Electrical class A	230 VAC 20 A	120 mm	800 mm	1250 mm	980 mm	1540 mm
PDS 1E 630	Electrical class A,B	3x400 VAC or 230 VAC 25A	150 mm	900 mm	1250 mm	1080 mm	1580 mm
PDS 1E 1000	Electrical class A,B,C	3x400 VAC or 230 VAC 30A	150 mm	1100 mm	1400 mm	1080 mm	1580 mm



Itemref	Quantity	Title/Name, designation, material, dimension etc	Article No./Reference		
Drawn by	Checked by	Approved by - date	File name	Date	Scale
Lift platform for persons with impaired mobility PDS 1E (1 Entrance) Speed 0.15 m/s In accordance with the terms of the Machinery Directive 2006/42/EC, EN 81-41 , EN 81-70			PDS 1E		TREZ
			Edition	Sheet	